

### FEATURES

- » Front zipper
- » Flat top
- » Adjustable by press buttons behind
- » Open face
- » Snap-fasteners for face-mask
- » With ESD symbol

### OPTIONAL

- » COMPANY LOGOS

### FABRIC PROPERTIES

- » Static dissipative woven fabric (carbon loaded yarns in 5 mm grid)
- » For Clean Room class 10000, ISO 7
- » **Composition:** 98% Polyester 2% Conductive fiber
- » **Fabric Weight:** 115 g/m<sup>2</sup>
- » **Finish:** Crease resists, workwear
- » **Resistance from point to point (Rp):** 10<sup>6</sup> - 10<sup>7</sup> Ohm
- » **Charging time:** < 2 seconds
- » Complies with IEC/TS 61340-4-9:2016 and ANSI/ESD STM2.1:2018, and keeps this compliance after more than 50 industrial washings
- » Developed for industrial washing

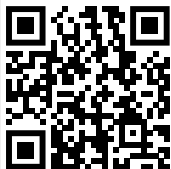
### CR10 FABRIC

LB

W



Individual custom made ESD Clothing also available!



### ORDERING CODE

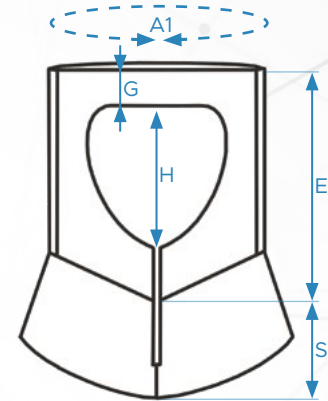
**FCH** - **CR10** - **LB L**  
style fabric colour size

Certified clothing according to the 2018 ESD standard. It's proved with the following tag.



SIZE CHART (CM)	XXS	XS	S	M	L	XL	XXL
<b>E</b>	23,5	24,5	26,0	26,0	28,5	28,5	28,5
<b>H</b>	13,0	14,0	15,0	16,0	17,0	17,0	17,0
<b>A1</b>	52,0	55,0	58,0	61,0	63,5	66,0	69,0
<b>G</b>	6,0	6,0	6,0	6,0	6,5	6,5	6,5
<b>S</b>	21,0	21,0	21,0	21,0	21,0	21,0	21,0

Size tolerance (Before washing): 2%



## WASHING INSTRUCTIONS

Conductive carbon fibres used in ESD fabrics are very sensitive to high temperatures, alkalis, acids, rinses (softeners) and bleaches. Inadequate use may cause damage to carbon fibres and ESD clothing may lose or significantly deteriorate ESD parameters. Therefore, wash ESD clothing very carefully, in each case please follow the instructions:

- i** In order to preserve the long life of ESD clothings, please use industrial laundries who can provide controlled, documented washing procedures and environment
- i** Wash in cold or not warmer than 40 °C (104 °F) lukewarm water with neutral liquid detergent
- i** Do not use detergents and / or rinse aids that contain bleach and / or chlorine
- i** Bleachers are forbidden
- i** Do not use rinse aids or detergents with a high alkali or high acid content
- i** Do not dry clean
- i** Tumble drying is prohibited
- i** Does not require ironing, but if absolutely necessary, iron at a maximum temperature of 110 °C (230 °F) without steaming
- i** Wash all items inside out
- i** Using deodorant can damage the color of the product
- i** When drying clothes outdoors, do not expose them to direct sunlight
- i** Tighten the zippers before each wash



## WARRANTY

- !** The warranty is strictly valid under controlled and documented industrial laundry conditions, concern the fabric washing cycle as specified in the technical data's.
- !** The warranty is NOT valid if the washing process is made in home environment!
- !** The warranty covers ESD parameters and possible sewing errors according to IEC 61340-4-9:2016 and ANSI/ESD STM2.1:2018 standard issued only!
- !** The warranty does not cover the size and shrinkage differences within the tolerances given at the size charts!
- !** Our clothing products are provided with the „Operating instructions with symbols” according to the MSZ EN ISO 3758:2012 standard.
- !** Thread extension or tearing should not be the basis for a complaint.
- !** If the product shows improper tampering, the complaint will be rejected.